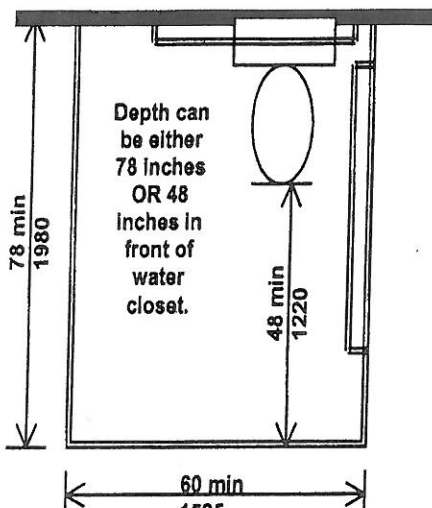


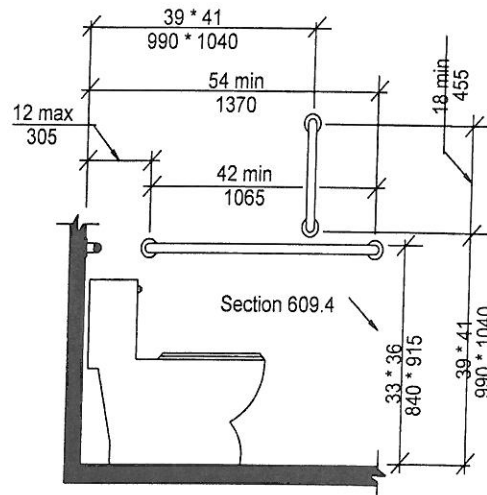
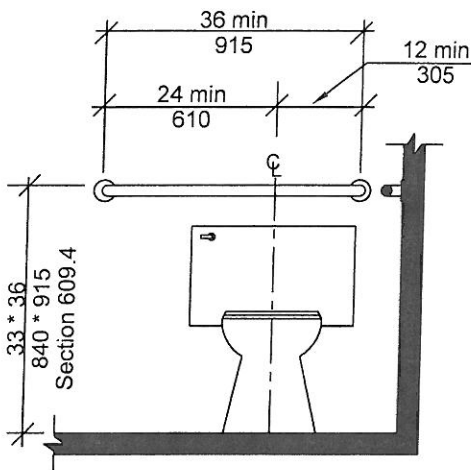
Accessible Toilet Rooms

Below are a host of specifications for toilet rooms. This document is meant to be a primer for you and your business. If your issue is not addressed here please refer to the end of the document for comprehensive resources to ensure your business is accessible.

- Toilet bowl centered between 16 inches and 18 inches from a side wall, toilet seat between 17 inches and 19 inches above the floor.
- The toilet area is minimum of 60 inches wide measured from the wall next to the toilet and 48 inches of clear floor space from the front of the toilet bowl to the compartment/room wall or at least 78 inches measured from the wall behind the toilet (see below). Diaper changing tables are not allowed in the wheelchair accessible toilet compartment.

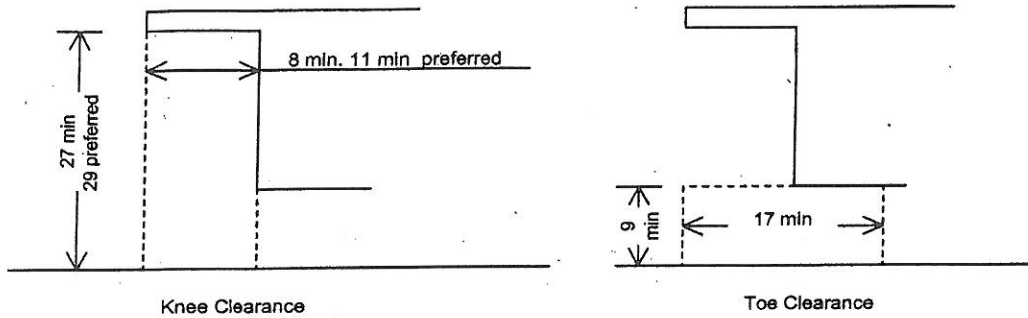


- Compartment door opening 32 inches minimum with self-closing door and locking hardware easy to operate without requiring tight grabbing, pinching or twisting.
- Flush valve should be located on the wide side of the toilet area mounted no more than 48 inches above the floor.
- Both horizontal and vertical grab bars must be provided as shown in diagrams below. Toilet paper dispenser mounted below the horizontal grab.
- If there are 2 or more toilet compartments in a room an ambulatory-accessible compartment measuring 36 inches wide must be provided in addition to the wheelchair-accessible compartment.

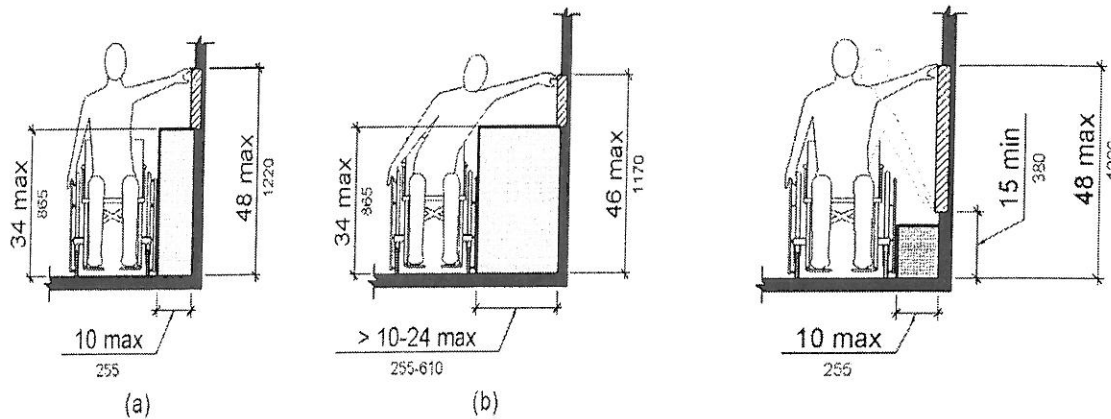


- If there are two or more urinals at least one urinal must be mounted with the rim no more than 17 inches above the floor.
- Maximum height of the rim of the sink 34 inches above the floor with mirror mounted no higher than 40 inches to the bottom reflective edge.
- Faucets (level handles or electronically controlled) must be operable with one hand and not requiring tight grasping, pinching, or twisting of the wrist. Self-closing faucets that require both reaching forward and pushing down to activate are not recommended. Self-closing faucet must flow for a minimum of 10 seconds.
- There must be clear floor space 30 inches wide by 48 inches long in front of the sink for a forward approach with knee and toe clearance.

- Plumbing must be insulated or otherwise covered so that there are no sharp, abrasive, or hot edges exposed.
- Minimum of 27 inches of knee clearance from the floor to the bottom of the apron or counter and at least 8 inches back from the front edge. Toe clearance must extend at least 17 inches back from the front edge at a height of 9 inches above the floor (see below). Knee and toe clearances must be at least 30 inches in width.



- The toilet room must have adequate space to allow a 5 foot diameter turning circle to allow a wheelchair to turn 180 degrees.
- At least one of each type of accessory (soap dispenser, towel dispenser, etc.) shall be mounted such that the operating mechanism is no more than 48 inches above the floor with a clear floor space 30 inches wide by 48 inches long in front of or adjacent to the fixture or accessory. Note: accessories may share the same clear floor space.



For further and more comprehensive information on entrances, ramps, walkways, and the accessibility of your entire facility please contact (remember Minnesota State Accessibility Code especially exceeds ADA toilet room guidelines):

Minnesota State Council on Disability
<http://www.disability.state.mn.us/accessibility/>

Minnesota Dept. of Labor and Industry 651.284.5877

Great Lakes ADA Center www.adagreatlakes.org 800.949.4232 (v/tty)

Minnesota Accessibility Code



<http://codes.iccsafe.org/app/book/toc/2015/Minnesota/Accessibility/index.html>